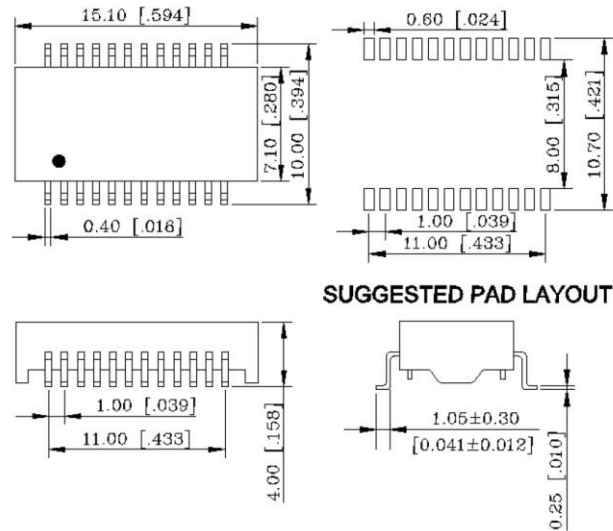


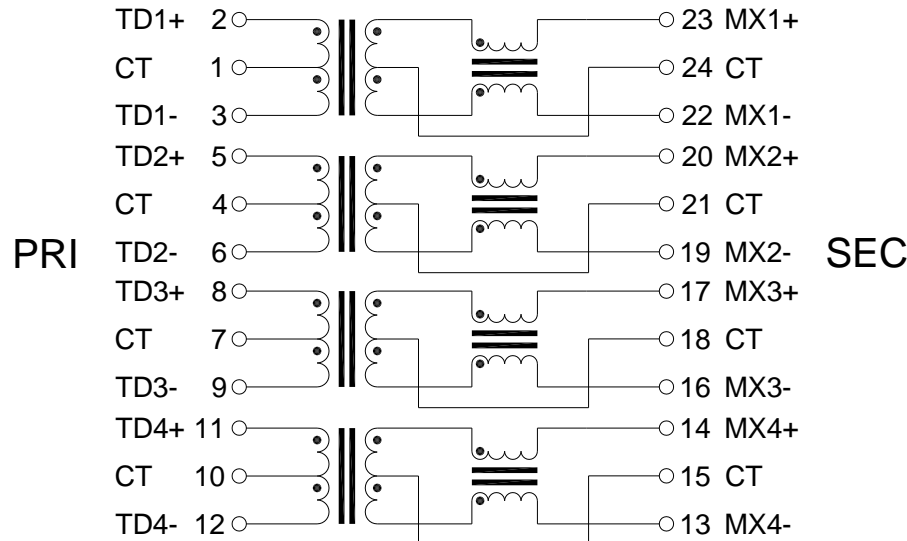
REV.	DESCRIPTION	DATE	DWN	AP'PD

一、Mechanical Dimensions



UNIT: mm(inch) Unless otherwise specified, all tolerances are $\pm 0.25(0.01)$

二、Schematics



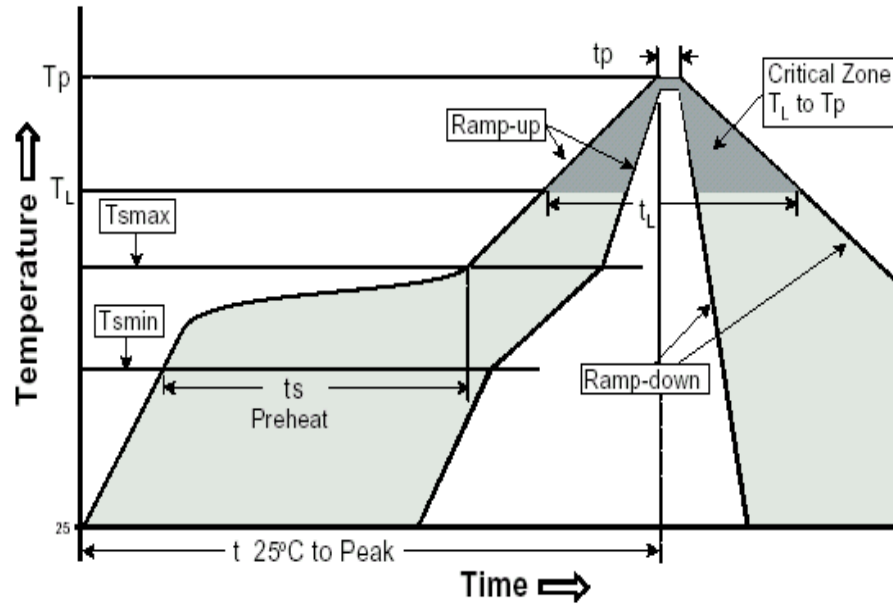
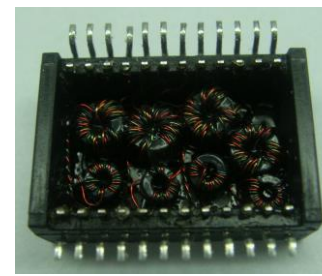
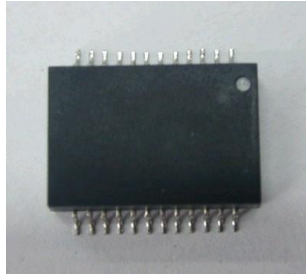
三、ELECTRICAL SPECIFICATIONS@25°C:

1. Turn Ratio($\pm 5\%$): 1CT:1CT
2. Inductance(100KHz/0.1V@8mA): 350uH MIN
3. Insertion Loss (dB MAX): -1.0dB(1-100MHz)
4. Return Loss (dB MIN): -18dB(1-30MHz), -14dB(40MHz), -13dB(50MHz),
-12dB(60-80MHz), -10dB(100MHz)
5. Cross talk (dB TYP): -45dB(30MHz), -40dB(60MHz), -35dB(100MHz)
6. CMR (dB TYP): -43dB(30MHz), -37dB(60MHz), -33dB(100MHz)
7. HI-POT: 1500Vrms/0.5mA/60Sec or 1650Vrms//0.5mA/2Sec
8. Operating Temperature: -40°C TO +85°C
9. RoHS compliance: YES

	 元册科技股份有限公司 YUAN DEAN SCIENTIFIC CO., LTD.			
	TITLE		1000BASE-T FILTER	
	P/N	30F-51BNL	REV.	E1.2
	PAGE NO	1-3	DATE	2025-6-13
	AP'PD	Liu	DWN	Liu

四、Our RoHS parts just can withstand IR Reflow peak temperature: 245degC+/-5degC as the following profile:

REV.	DESCRIPTION	DATE	DWN	AP'PD



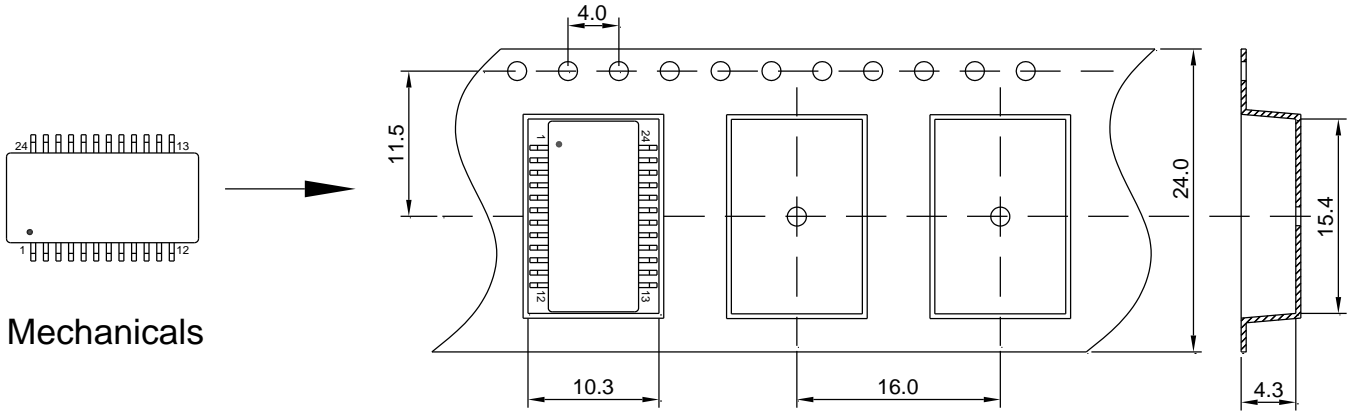
Profile Feature	Pb-Free Assembly
Average Ramp-Up Rate ($T_{s_{max}}$ to T_p)	3°C /second max.
Preheat -Temperature Min ($T_{s_{min}}$) -Temperature Max ($T_{s_{max}}$) -Time ($t_{s_{min}}$ to $t_{s_{max}}$)	150°C 200°C 60-120 seconds
Time maintained above: -Temperature (T_l) -Time (t_l)	217°C 60-150 seconds
Peak/Classification Temperature (T_p)	245±5°C
Time within 5°C of actual Peak Temperature (t_p)	20-40 seconds
Ramp-Down Rate	6°C/seconds max
Time 25°C to Peak Temperature	6 minutes max.

	元册科技股份有限公司 YUAN DEAN SCIENTIFIC CO., LTD.			
	TITLE	1000BASE-T FILTER		
	P/N	30F-51BNL	REV.	E1.2
	PAGE NO	2-3	DATE	2025-6-13
AP'PD	Liu	DWN	Liu	

五、 Packing Information:

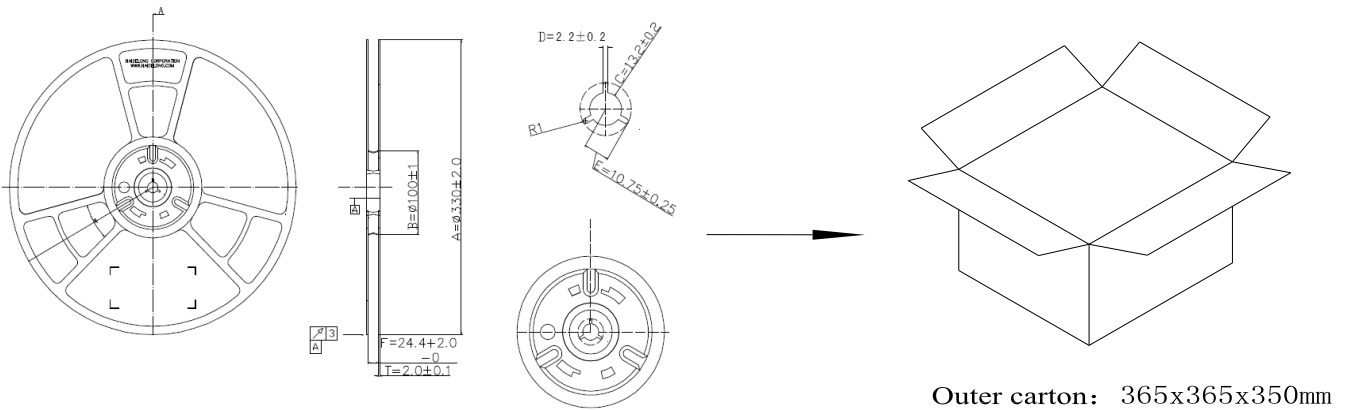
- 1. Weight-----0.89grams/pcs
- 2. Tape & Reel----- 800pcs
- 3. outer carton unit: 8000pcs/box
- 4. outer carton unit: 10T&R/box
- 5. Weight: 13.3kg per carton

REV.	DESCRIPTION	DATE	DWN	AP'PD



Mechanicals

Tape & Reel



Outer carton: 365x365x350mm



元册科技股份有限公司

YUAN DEAN SCIENTIFIC CO., LTD.

TITLE	1000BASE-T FILTER		
P/N	30F-51BNL	REV.	E1.2
PAGE NO	3-3	DATE	2025-6-13
AP'PD	Liu	DWN	Liu